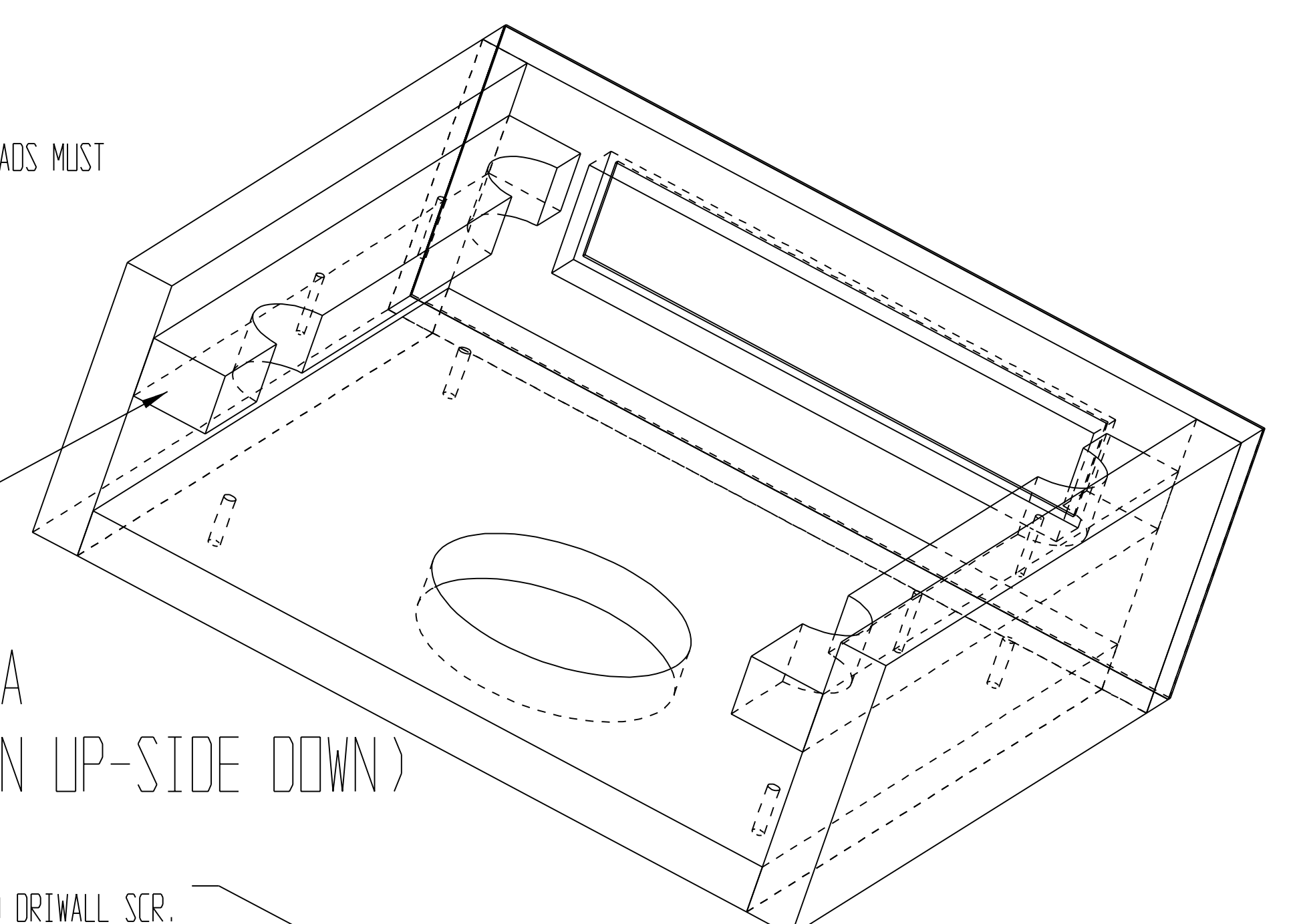
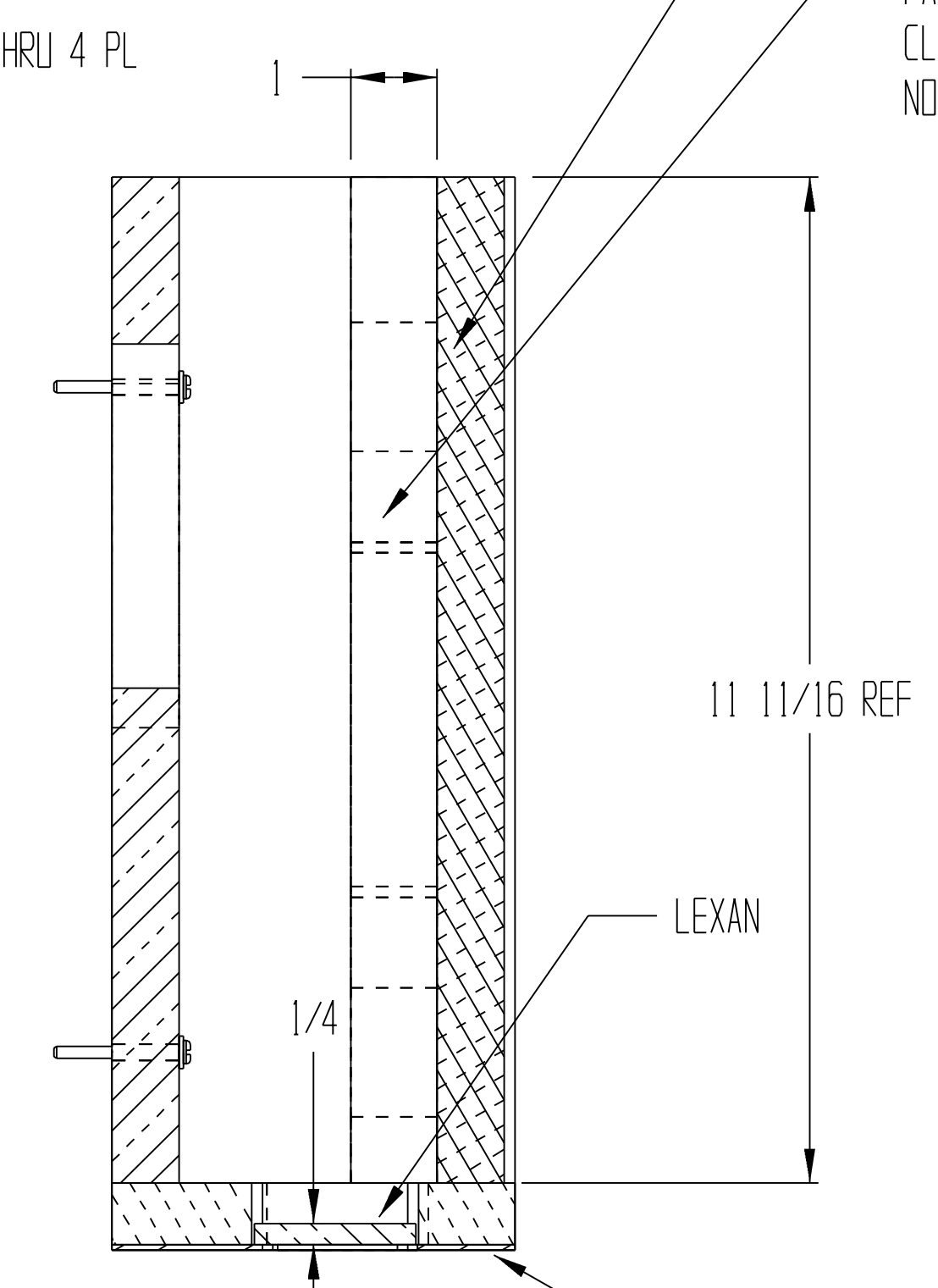
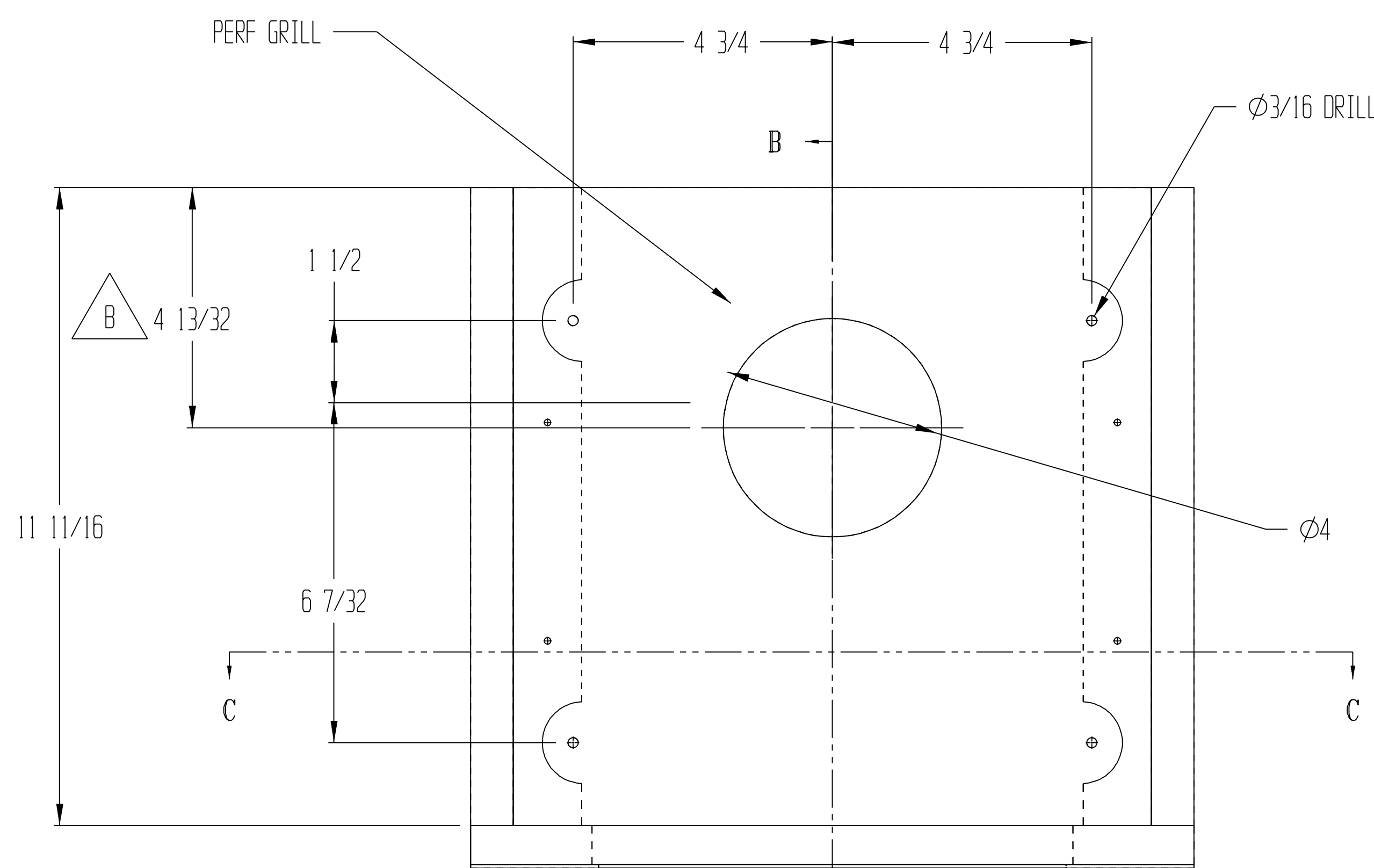
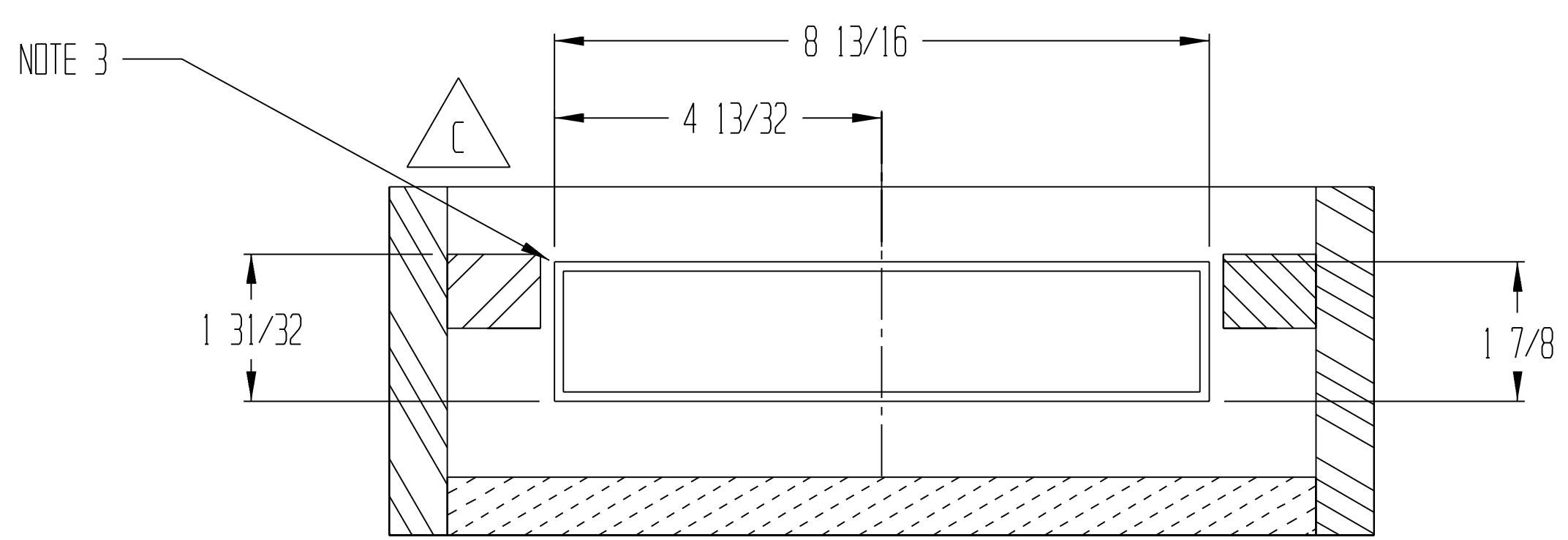
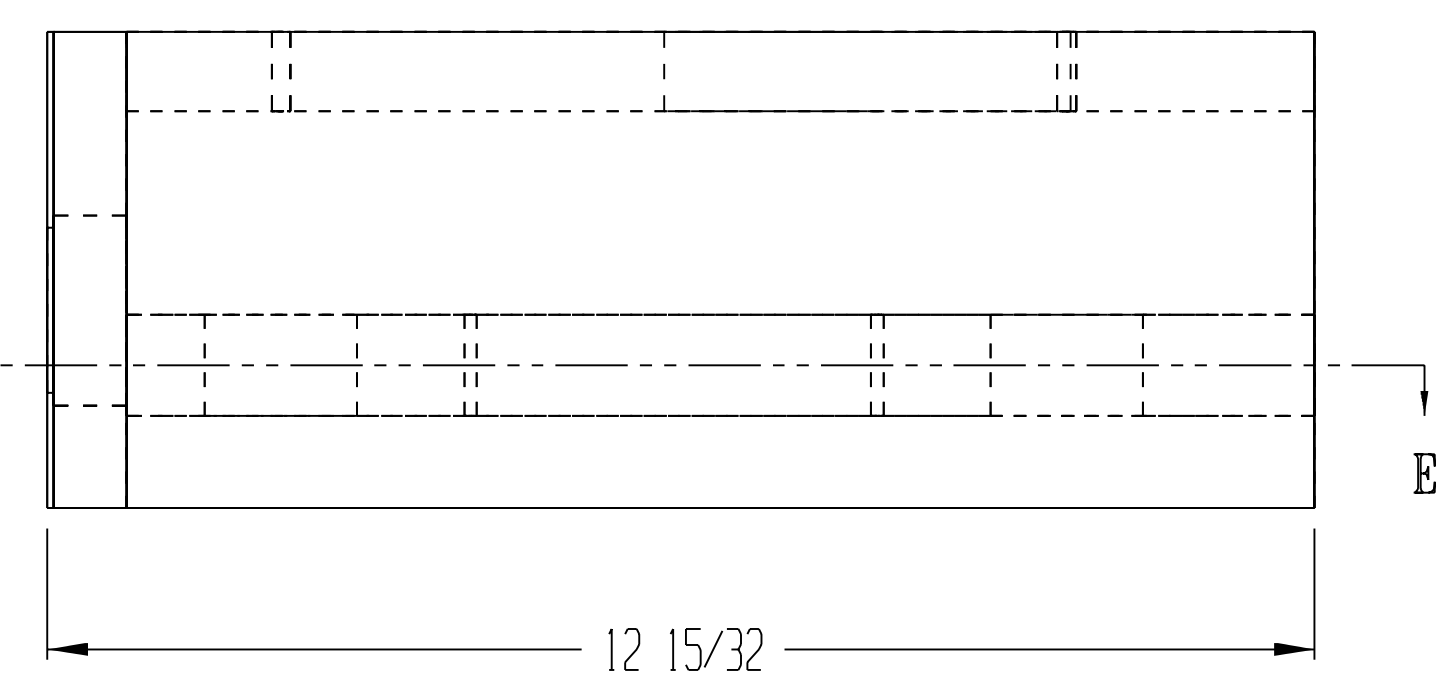
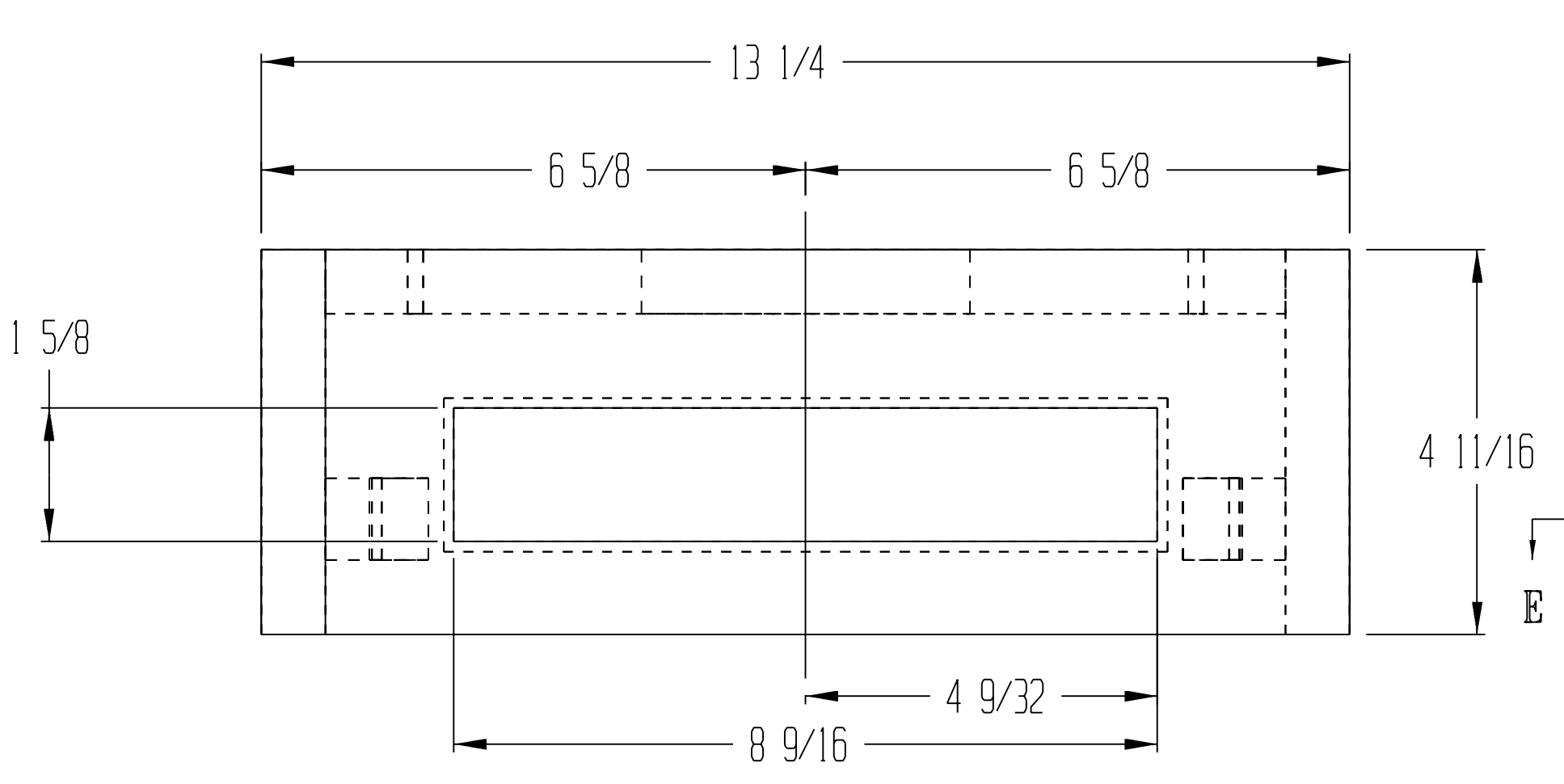


CAGE	DWG NO	SH	REV	1
N/A				
REVISIONS				
ZONE	REV	DESCRIPTION	DATE	APPROVED
C2	B	MOVED SPEAKER HOLE. ADDED PILOT HOLES.		
	C	CHANGED SIZE AND POS. OF OPENING ON FACE.		



NOTES:
 1. LAMINATE SHOWN THIS SURFACE ONLY.
 2. LAMINATE IS BLACK MATTE W/ WOOD-LIKE TEXTURE.
 3. MINIMAL CORNER RADIUS.



CUSTOMER DRAWING
 FOR REFERENCE USE ONLY.
 DO NOT FABRICATE USING THIS DRAWING.

ADDITIONAL APPROVALS	DATE			
STRESS				
MATERIALS & PROCESSES				
QUALITY ASSURANCE				
MANUFACTURING ENGINEERING				
TREATMENT				
DASH NO		NEXT ASSY	USED ON	
APPLICATION				
PROJECTION		THIRD ANGLE		

QTY	RECD	UNITS	CAGE CODE	PART OR IDENTIFYING NO	NOMENCLATURE OR DESCRIPTION	MATERIAL SPECIFICATION	FIND NO
PARTS LIST							
UNLESS OTHERWISE SPECIFIED DIMENSIONS ARE IN INCHES. TOLERANCES ARE:				CONTRACT NO			
FRACTIONS .X .X .XX .XXX				APPROVALS			
DO NOT SCALE DRAWING				DATE			
MATERIAL JPM				DRAWN 062707			
FINISH				DESIGNER			
APPROVED				CHECKED			
TITLE		SIZE		CAGE CODE		DWG NO	
COMPARTMENT		D		N/A		ACC0726-01	
PODIUM, SW-755		SCALE		RELEASE DATE		WEIGHT	
		1:2				SHEET 1 OF 1	