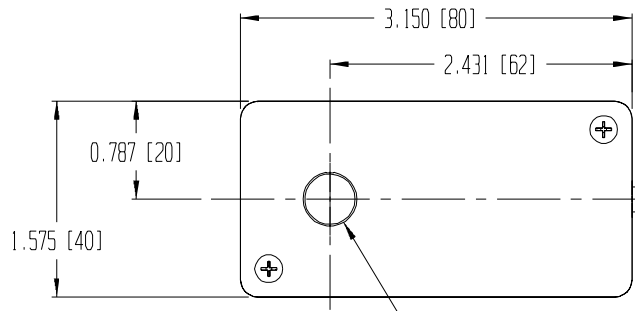


4

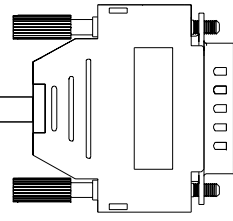
3

1

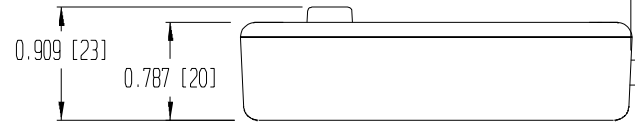
REVISIONS				
ZONE	REV	DESCRIPTION	DATE	APPROVED



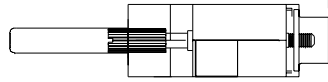
SENSOR LENS Ø.433 [11]



STANDARD CONNECTOR (DSUB 15 PIN MALE) SEE DWG # MEG-010114-00B FOR VARIATIONS



CABLE UNSHIELDED; 6; 22 AWG CHROME PVC. OVERALL CONNECTOR/CABLE LENGTH +/- 5 FEET



						REVISION SHEET	REV STATUS OF SHEETS
5	4	3	2	1			

ADDITIONAL APPROVALS	DATE			
STRESS				
MATERIALS & PROCESSES				
QUALITY ASSURANCE	DASH NO	NEXT ASSEMBLY	USED ON	
MANUFACTURING ENGINEERING	APPLICATION			
TREATMENT	PROJECTION	THIRD ANGLE		

QTY	REQD	UNITS	CAGE CODE	PART OR IDENTIFYING NO	NOMENCLATURE OR DESCRIPTION	MATERIAL SPECIFICATION	FIND NO
PARTS LIST							
UNLESS OTHERWISE SPECIFIED DIMENSIONS ARE IN INCHES TOLERANCES ARE: FRACTIONS: DECIMALS: X . X XX . XXX				CONTRACT NO			
DO NOT SCALE DRAWING				APPROVALS		DATE	
MATERIAL				DRAWN		TITLE	
FINISH				CHECKED		DESIGNER	
				APPROVED		SCALE 1:1	
				RELEASE DATE		WEIGHT	
				SHEET		1 OF 1	



'755, STANDARD ENCLOSURE

SIZE B CAGE CODE DWG NO MEG-010115-000 REV 0

4

3

2

1

D

C

B

A

D

C

B

A