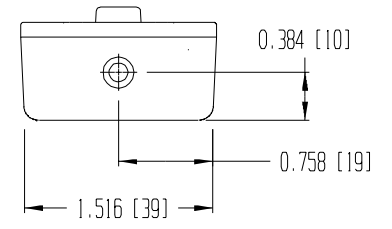
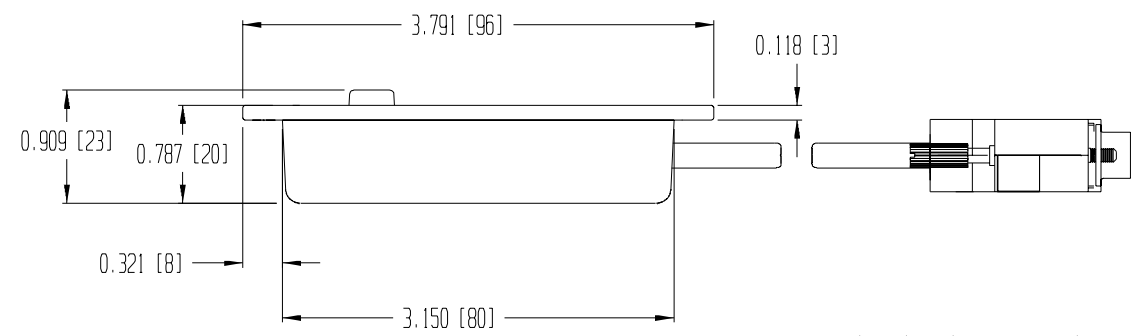
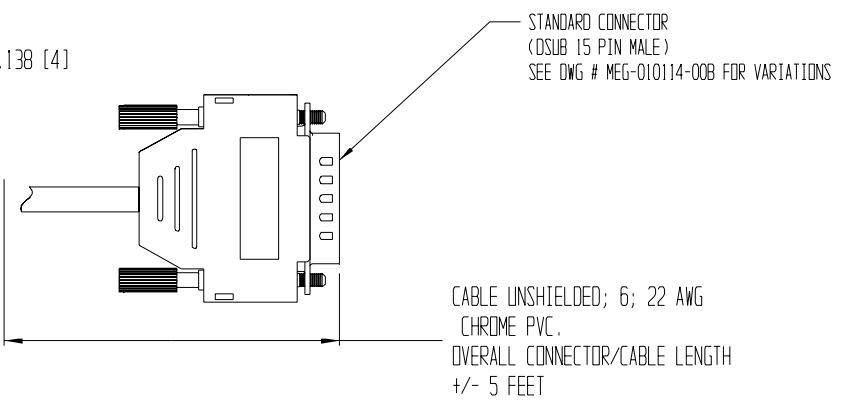
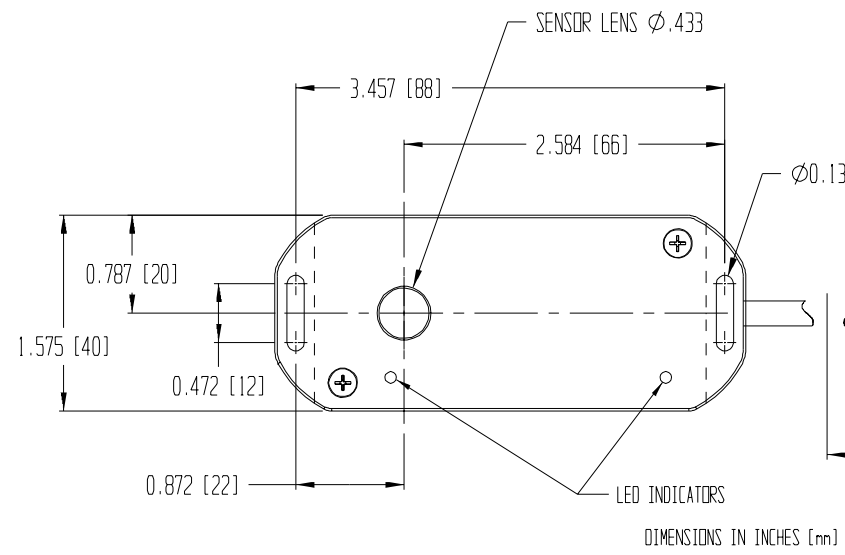


4

3

1

REVISIONS				
ZONE	REV	DESCRIPTION	DATE	APPROVED



REVISION	REV STATUS
5	
4	
3	
2	
1	
SHEET	
OF SHEETS	

ADDITIONAL APPROVALS	DATE			
STRESS				
MATERIALS & PROCESSES				
QUALITY ASSURANCE	DASH NO	NEXT ASSEMBLY	USED ON	
MANUFACTURING ENGINEERING	APPLICATION			
TREATMENT	PROJECTION	THIRD ANGLE		FINISH

QTY	REQD	UNITS	CAGE CODE	PART OR IDENTIFYING NO	NOMENCLATURE OR DESCRIPTION	MATERIAL SPECIFICATION	FIND NO
PARTS LIST							
UNLESS OTHERWISE SPECIFIED DIMENSIONS ARE IN INCHES TOLERANCES ARE: FRACTIONS: DECIMALS: X . X XX . XXX .				CONTRACT NO			
DO NOT SCALE DRAWING				APPROVALS		DATE	
				DRAWN			
				CHECKED			
				DESIGNER			
				APPROVED			
TITLE		SIZE		CAGE CODE		DWG NO	
'755, FLANGED ENCLOSURE		B				MEG-010114-00B	
SCALE		RELEASE DATE		WEIGHT		SHEET	
1:1						1 OF 1	

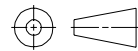


4

3

2

1



A