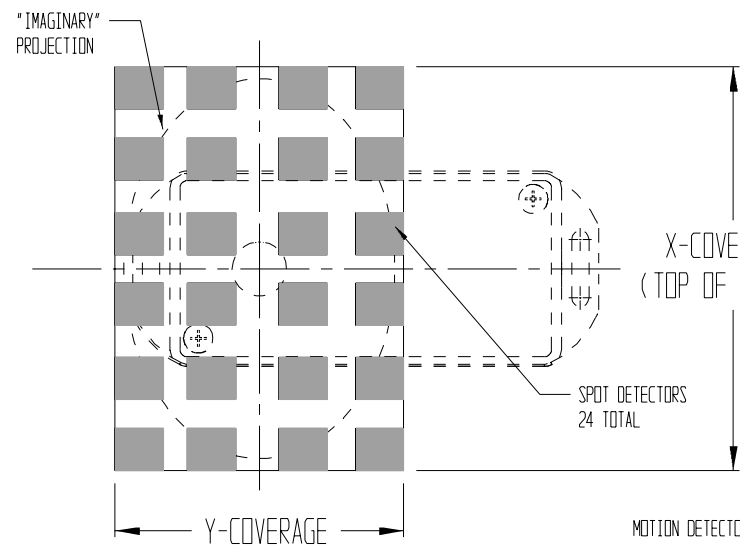
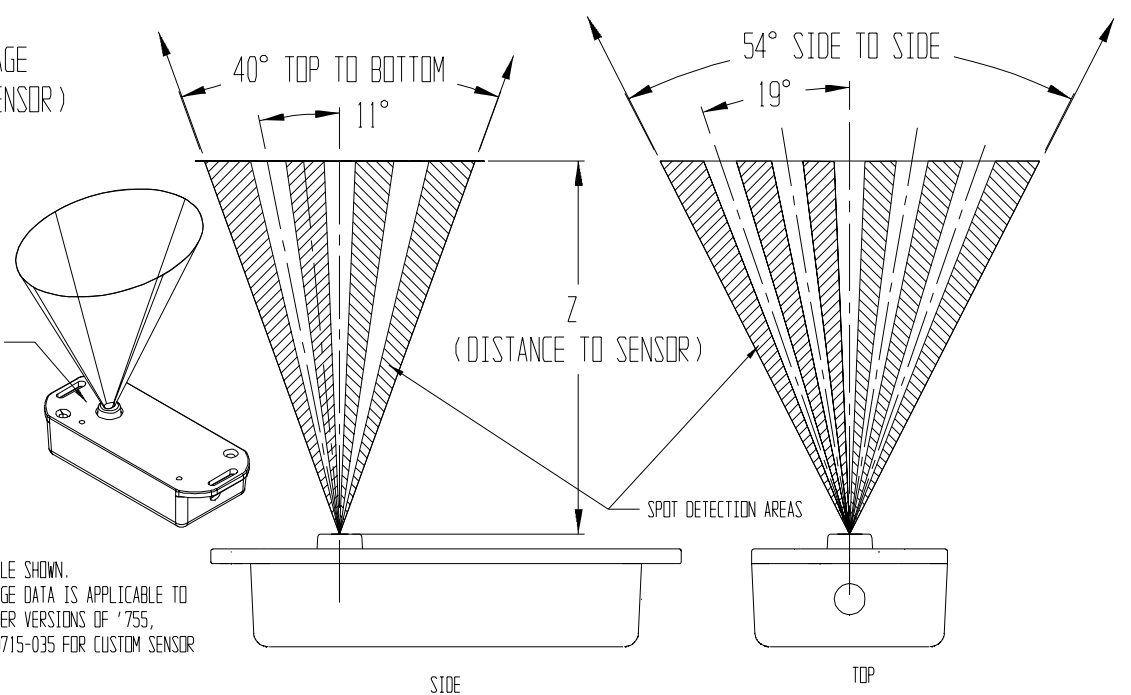


REVISIONS				
ZONE	REV	DESCRIPTION	DATE	APPROVED



MOTION DETECTOR:
 PANASONIC AMN 2
 DETECTION TYPE: SPOT
 USABLE AMBIENT TEMPERATURE: -20-60 C (-4 - +140 F)

SENSOR DETECTION ANGLE



Detection Coverage					
Distance from Sensor (Z)		X Coverage		Y Coverage	
meters	feet	meters	inches	meters	inches
0.3	1	0.3	12.22	0.2	8.74
0.6	2	0.6	24.46	0.4	17.48
0.9	3	0.9	36.68	0.7	26.2
1.2	4	1.3	49.52	0.9	34.94
1.5	5	1.6	61.14	1.1	43.68
1.8	6	1.9	73.38	1.3	52.42
2.1	7	2.2	85.60	1.6	61.14
2.4	8	2.5	97.82	1.8	69.88
2.7	9	2.8	110.06	2.0	78.62
3.0	10	3.1	122.28	2.2	87.36
3.3	11	3.4	134.52	2.4	96.08
3.6	12	3.7	146.74	2.7	104.82
4.0	13	4.0	158.98	2.9	113.56
4.3	14	4.3	171.20	3.1	122.3
4.6	15	4.7	183.42	3.3	131.02
4.9	16	5.0	195.66	3.5	139.76

NOTE:
 1. FLANGED CASE STYLE SHOWN.
 2. DETECTION COVERAGE DATA IS APPLICABLE TO ALL NON-SPECIAL ORDER VERSIONS OF '755,
 3. SEE DWG. MEG-020715-035 FOR CUSTOM SENSOR VARIATIONS.

EXAMPLE A
 SENSOR DETECT AREA @ 7' FEET:
 ~ 7 FEET (SIDE-SIDE)
 ~ 5 FEET (TOP-BOTTOM)

QTY REQD	UNITS	CAGE CODE	PART OR IDENTIFYING NO	NOMENCLATURE OR DESCRIPTION	MATERIAL SPECIFICATION	FIND NO
PARTS LIST						
UNLESS OTHERWISE SPECIFIED DIMENSIONS ARE IN INCHES TOLERANCES ARE:		CONTRACT NO				
FRACTIONS: X 8 XX 16 XXX 24		DECIMALS: X 0.0005 XX 0.001 XXX 0.002				
MATERIAL		DRAWN J. MARCHETTI		DATE FEB 5 '15		TITLE MD755, DETECTION DIAGRAM "SPOT" TYPE SENSOR
FINISH		DESIGNER		SIZE B		CAGE CODE
APPROVED		APPROVED		SCALE 1:1		DWG NO MEG-020115-030 REV 0
				RELEASE DATE		WEIGHT
				SHEET 1 OF 1		