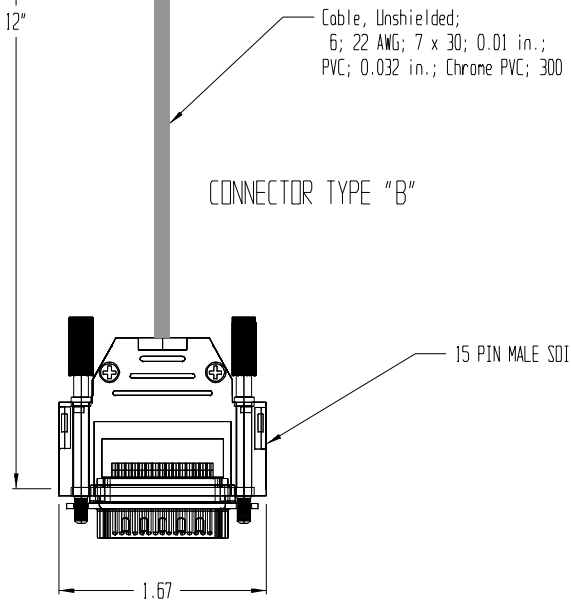
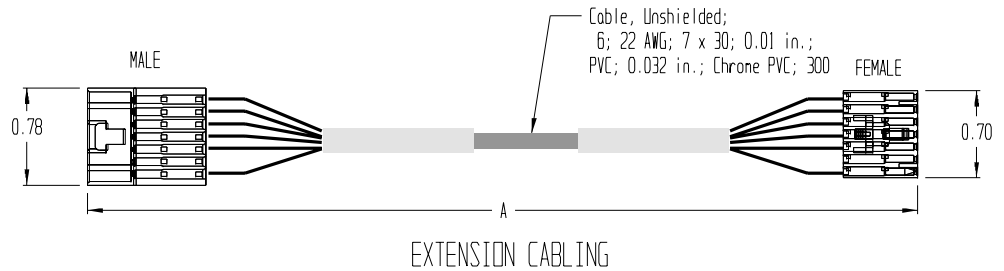
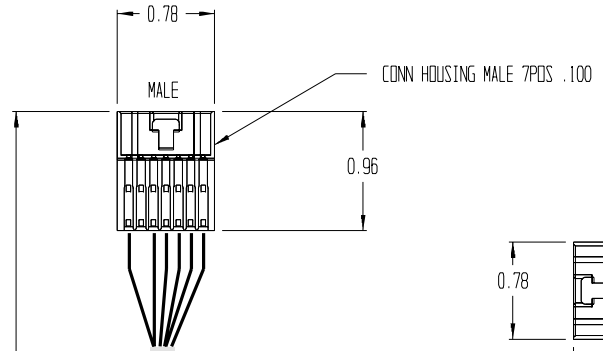


REVISIONS				
ZONE	REV	DESCRIPTION	DATE	APPROVED



CABLE LENGTHS		
"A"		
Inch	Feet	Meter
48	4	1.1
96	8	2.2
120	10	2.7
144	12	3.3
180	15	4.1

CUSTOMER DRAWING

QTY	REQD	UNITS	CAGE CODE	PART OR IDENTIFYING NO	NOMENCLATURE OR DESCRIPTION	MATERIAL SPECIFICATION	FND NO
PARTS LIST							
ADDITIONAL APPROVALS				DATE	UNLESS OTHERWISE SPECIFIED: DIMENSIONS ARE IN INCHES (mm).		CONTRACT NO.
MATERIALS & PROCESSES					TOLERANCES ARE DECIMALS: .X ± .XX±		 Marschall engineering group 600 N Main Street Leominster, MA 01453 978 534.0400
QUALITY ASSURANCE					MATERIAL		
MANUFACTURING ENGINEERING				DASH NO	EXT ASSEMBL	USED ON	DATE
TREATMENT				APPLICATION			CHECKED
				PROJECTION:			ENGINEER
				THIRD ANGLE			APPROVED
							RELATED FILES
							SIZE
							SCALE
							DWG NO
							REV
							1:1
							B
							MD-755-ASSY220
							2 OF 3
							RELEASED DATE
							23-Feb-15
							0