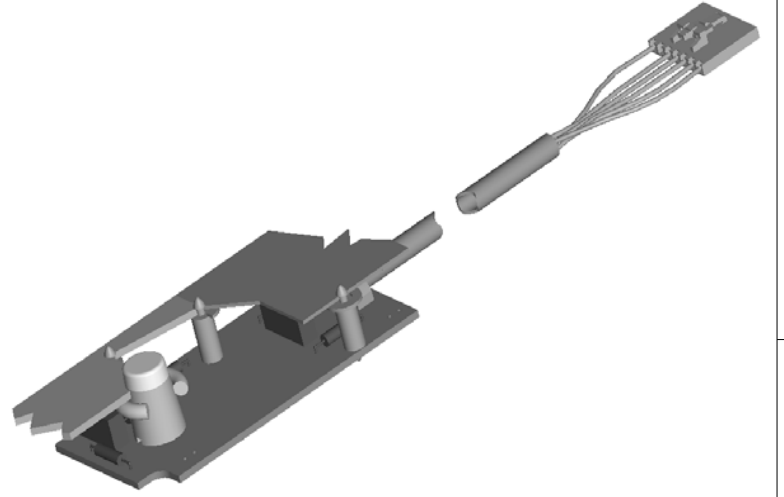
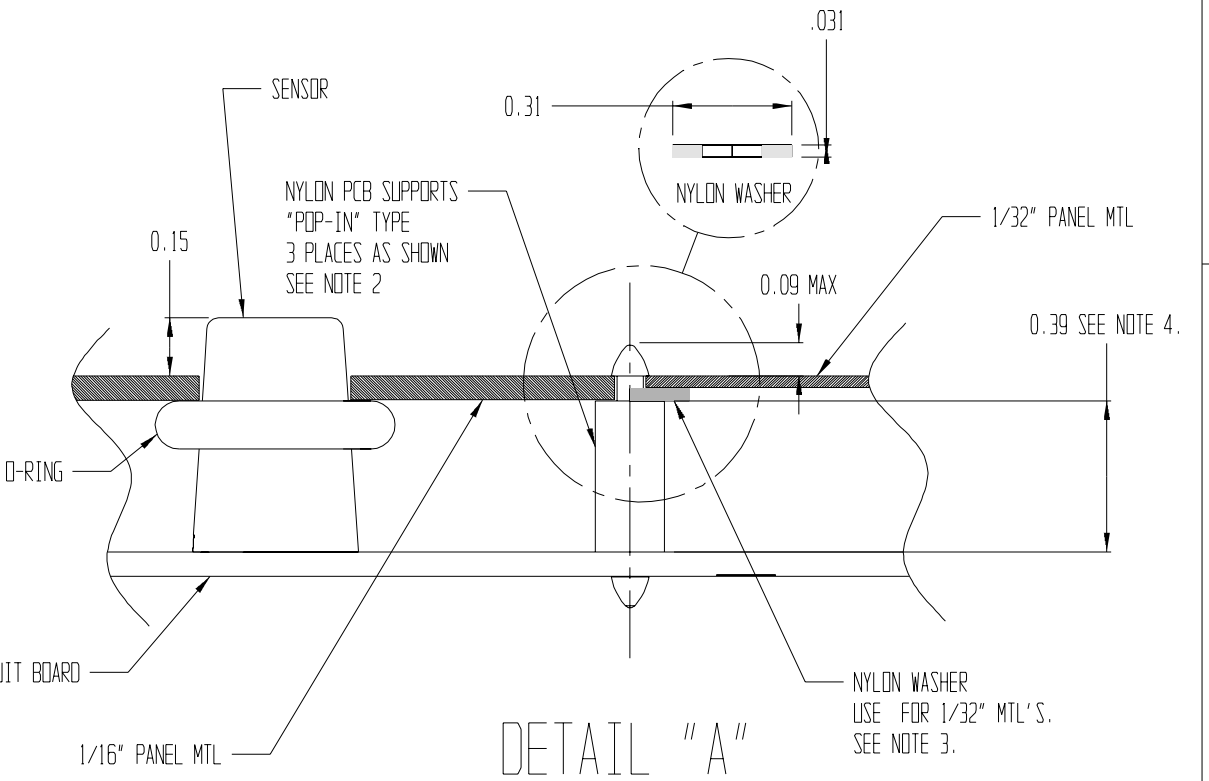
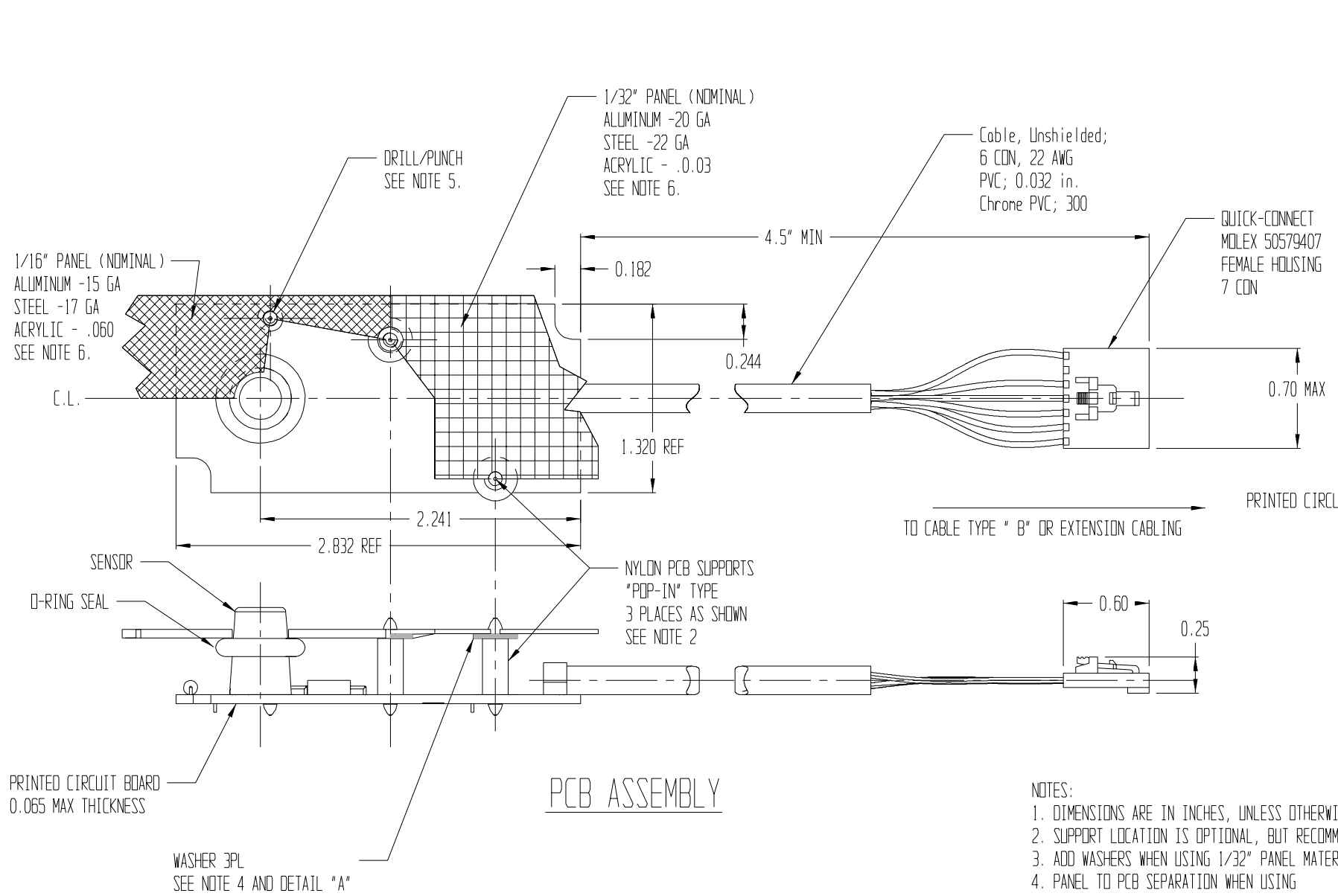


REVISIONS				
ZONE	REV	DESCRIPTION	DATE	APPROVED



- NOTES:
1. DIMENSIONS ARE IN INCHES, UNLESS OTHERWISE SPECIFIED.
 2. SUPPORT LOCATION IS OPTIONAL, BUT RECOMMENDED.
 3. ADD WASHERS WHEN USING 1/32" PANEL MATERIALS. SEE DETAIL "A".
 4. PANEL TO PCB SEPARATION WHEN USING NYLON PCB SUPPORTS.
 5. SEE DRAWING MD755-PCB-203 FOR PANEL DRILL/PUNCH TEMPLATE.
 6. MAXIMUM PANEL THICKNESS NOT TO EXCEED 1/16". WHEN USING THIN PANELS REINFORCEMENT IS RECOMMENDED OR MOUNTING SURFACE SHOULD NOT EXCEED 6" X 6". SEE DETAIL "B".
 7. SEE DRAWING MD755-PCB-220 FOR PCB INTERCONNECT CABLING.

QTY REQD	UNITS	CAGE CODE	PART OR IDENTIFYING NO	NOMENCLATURE OR DESCRIPTION	MATERIAL SPECIFICATION	FIND NO
PARTS LIST						
UNLESS OTHERWISE SPECIFIED: DIMENSIONS ARE IN INCHES (mm). TOLERANCES ARE: DECIMALS: .X ± .XX ±				CONTRACT NO.		 650 N Main Street Leominster, MA 01453 978 534.0400
MATERIAL			APPROVALS		DATE	
FINISH			CHECKED		ENGINEER	
PROJECTION: THIRD ANGLE			APPROVED		DATE	
RELATED FILES				SIZE	DWG NO	TITLE
				SCALE	MD-755-ASSY201	MD755-PCB BELOW PANEL MOUNTING NYLON POP-IN SUPPORTS
				1:1	1 OF 3	REV
					23-Feb-15	0

CUSTOMER DRAWING